



# 360-5FDQ-20BCP

Fill&Drain™ Brass Waste/Overflow

## Description:

Brass Offset style Fill&Drain™ 1-1/2" Waste & Overflow with integral tub filler and Clicker™ closure mechanism

- Two flow restricting Aerators featuring anti-clogging technology = Delivers a total of 5.17 GPM (US) at a pressure of 60psi
- Also included with each Fill&Drain™ package are 2 Full Flow laminar stream straighteners for increased flow\* = Provides a splash free laminar stream
- We drain what we fill even with the drain closure in the closed position = No more overflowed tubs\*!
- Features built-in Backflow Technology (serviceable from inside the Tub) = No Vacuum Breaker required\*\*
- Aerator removal tool included
- New Dual 1/2" FIP supply Connections (1 on each side of Overflow Elbow). Simply plug (plug included) the unused connection = Easier installation in shallow wall spaces
- Corrugated Copper Overflow tube = Maximum adjustability
- Twist+Lock style brass Faceplate (with vandal proof screw) mounting = Simple installation and secure fit

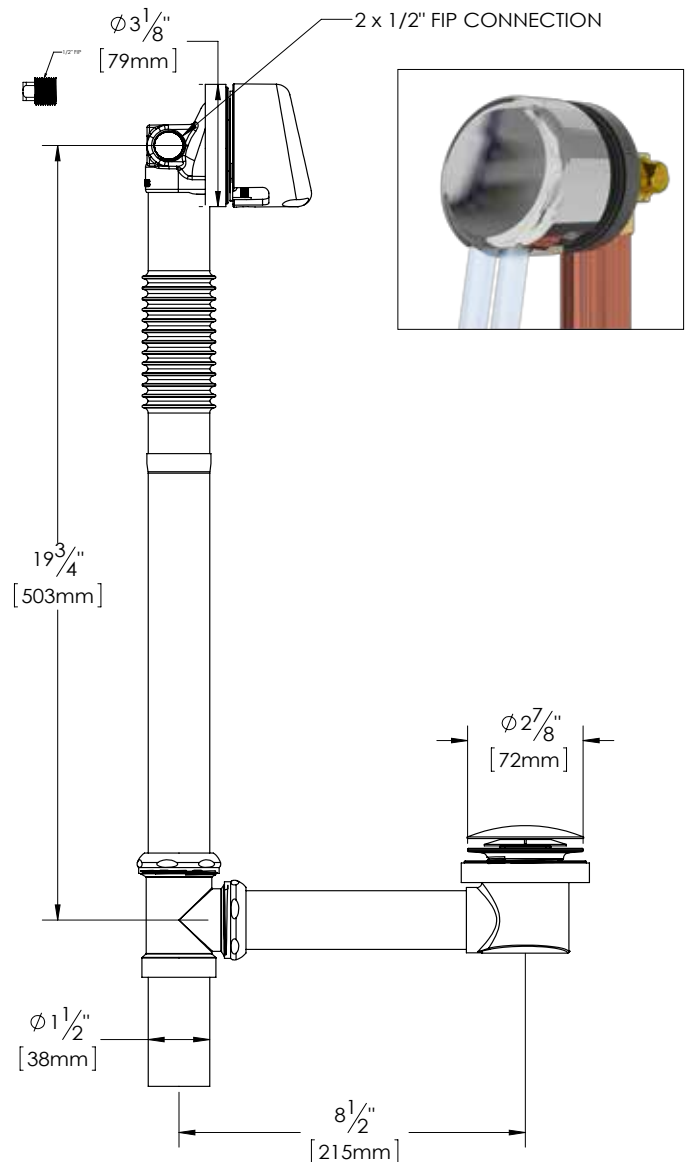
\*NOTE: Tub can overflow if full flow laminar stream straighteners installed.

\*\*NOTE: Where UPC is a referenced Code, a vacuum breaker must be installed with its critical level at least 1" above the flood level rim of the fixture between the tub filler and the hot and cold water mixing valves. The vacuum breaker shall comply with ASSE 1001.

Certification\*\*



\*The "cSAUS Meets UPC" mark means the product conforms to the requirements of the NPC, UPC\*\*, IPC and IRC.



### Oakville Stamping and Bending Ltd.

2200 Speers Road, Unit C. Oakville, ON. Canada. L6L 2X8.

T. 905.827.0320 or toll free 1.877.314.6040 F. 905.827.6375 or toll free 1.877.827.6040.

All rights reserved. OS&B™ reserves the right to change product specifications and material or discontinue models without notice.

[www.osb.ca](http://www.osb.ca) (Canada) [www.osbplumbing.com](http://www.osbplumbing.com) (USA)