



PRODUCT BULLETIN

Wood Deck Drain

OS&B™ introduces Wood Deck Drain - the ABS Floor Drain with integral Deck Flange. Intended for light duty applications such as second floor laundry rooms, utility rooms, loft remodels, kitchens and washrooms, the new Wood Deck Drain features a sturdy epoxy coated metal Flange designed to firmly secure the Drain to the sub floor.

The new Wood Deck Drain from OS&B®
- Your job just got a lot easier.

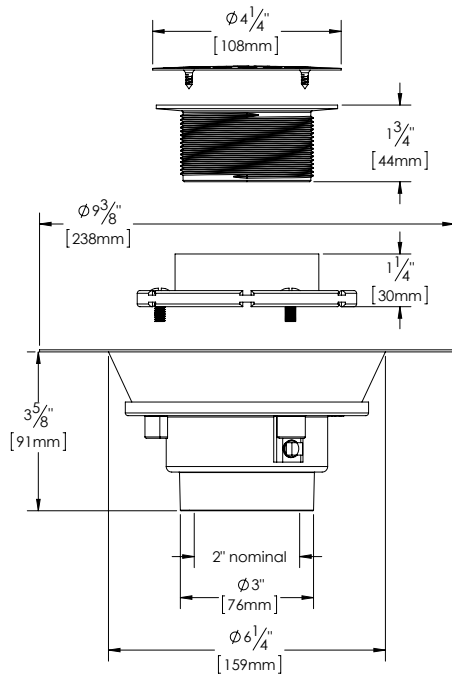


Features

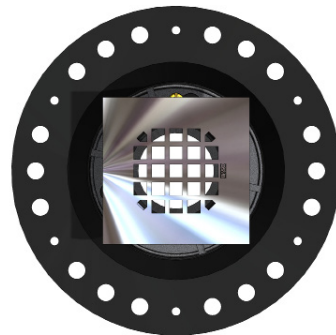
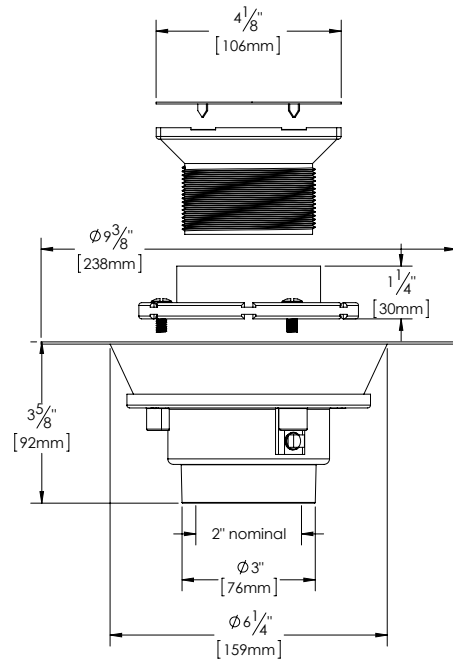
- 18 Gauge Epoxy coated Metal Deck Flange
- Extra-long Strainer Body - offers adjustability to accommodate vinyl to 1-1/2" thick tile or wood flooring
- 2" ABS DWV Hub connection or 3" Spigot
- Available in Round (WDD45) or Square (WDDS44) Stainless Steel Grate design
- Reinforced ABS Flange - eliminates flexing
- Designed to be installed in an 8" joist space
- Can be installed with Waterproofing Membrane (*bronte™ NobleSeal TS or ValueSeal™ Recommended, see www.brontecollection.ca for more information)
- Trap Seal Primer tapped and plugged
- CSA Certified

PRODUCT BULLETIN

Wood Deck Drain



WDD45
(round)



WDDS44
(square)

Installation Tips

- Use 6.5" hole saw to cut sub floor (not included)
- Secure Deck Flange with nails or screws (not included)

OS&B ITEM	DESCRIPTION	FINISH	BARCODE 7 75439	CTN QTY	LIST PRICE
WDD45	WOOD DECK DRAIN - ROUND GRATE	CP	06502 0	5	\$95.61
WDDS44	WOOD DECK DRAIN - SQUARE GRATE	CP	06499 1	5	\$95.61

Certification



PBWDDUS-0315